

F0612 SERIES



PRODUCT FEATURE

- ▶ Flexible horizontal bending strip, ultra slim only 6mm
- ▶ Dual-color silicone extrusion
- ▶ Enhanced SMD2835 LEDs especially for neon products, DC12V/ 24V
- ▶ 120 LEDs per meter, can be cut every 6 LEDs(50mm)
- ▶ UV resistant and salt mist proof
- ▶ Minimum bending diameter 3cm
- ▶ CE、RoHS certificate
- ▶ IP65 rate, 3 years warranty

PRODUCT USAGE FIELD

- ▶ LED neon letters or signage
- ▶ Building and sign outline lighting
- ▶ General and cover lighting
- ▶ Ships, boats and trucks outline lighting
- ▶ Bathroom, spa room lighting etc.

BASIC PARAMETER

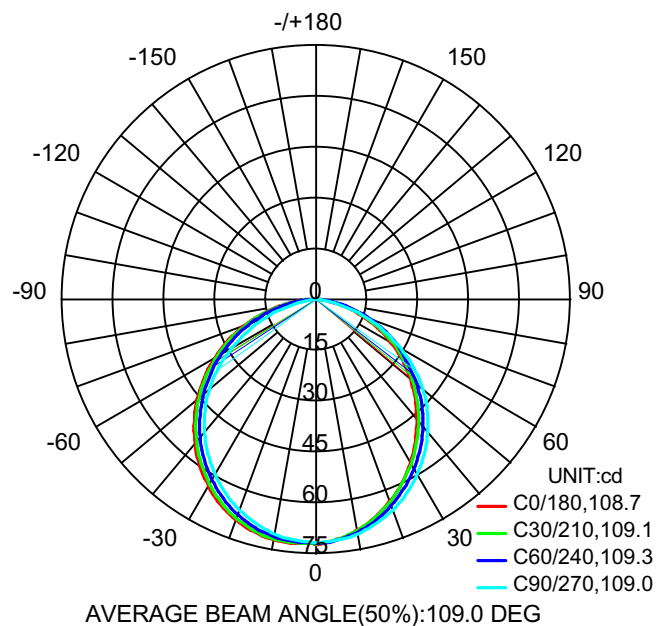
item No	Working Voltage	Waterpro of Rate	Size	Cascading	Working Temperature	Storage Temperature	Lifespan
F0612	DC12V/24V	IP65	6*12*5000mm	5M	-25~+60°C	-25~+70°C	50000 Hours

ELECTRONIC PARAMETER

item No	SMD type	LED (qty)	CT (color)	CRI (Ra)	Power (Watt)	Lumens lm/W	Efficiency lm/W	Angle (°)
EST-F0612-WW	2835	120 (PCS/M)	3000K	≥80	12W/M	200	25	120±5
EST-F0612-W			4000K	≥80		220	25	
EST-F0612-CW			6000K	≥80		200	25	
EST-F0612-R			RED	\		\	5	
EST-F0612-G			GREEN	\		\	15	
EST-F0612-B			BLUE	\		\	5	

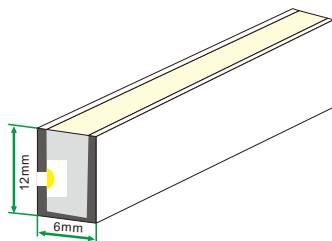
Note please : Above index is typical case with environments of laboratory testing at temperature of 25±2°C.

LIGHT DISTRIBUTION CURVE

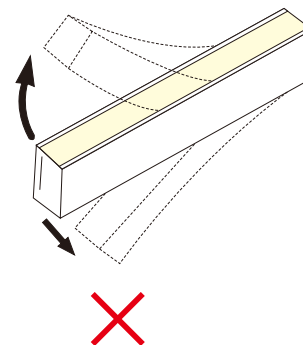
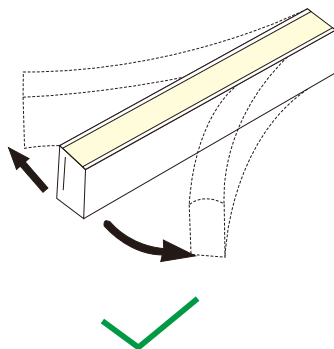


NEON FLEX PROFILE

Light profile

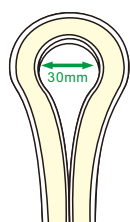


Bending Direction

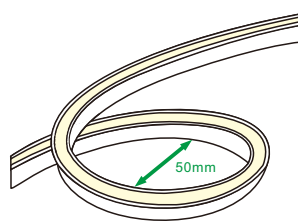


MINIMUM BENDING DIAMETER

Correct bending way



Face to the light surface, fold the strip, the minimum bending diameter is 30mm.



Light surface upwards, the strip is bendable to right or left naturally, the minimum bending diameter is 50mm.



Incorrect bending way



Face to the side surface, (as the picture shows) Do not bend downward to damage the strip.

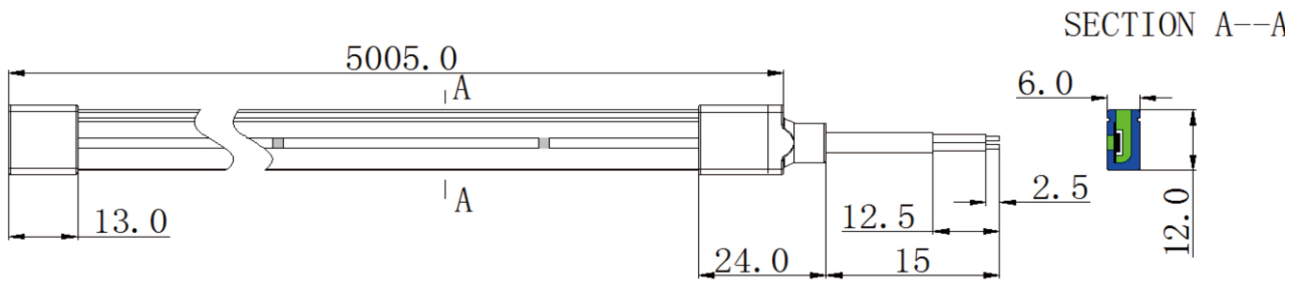


Face to the side surface, (as the picture shows) Do not bend upward to damage the strip.

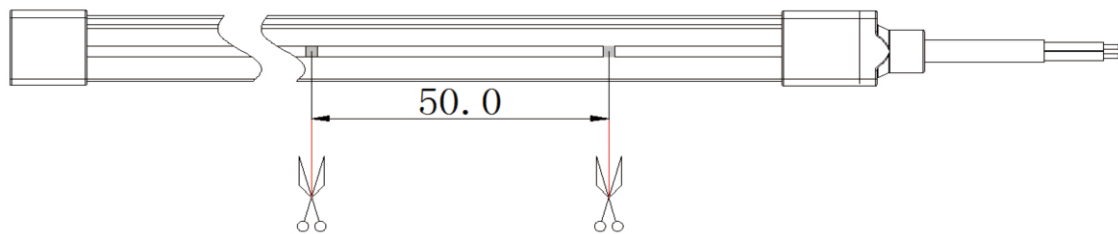


(as the picture shows) please do not twist the strip, or it will be damaged.

OUTSIDE DRAWING



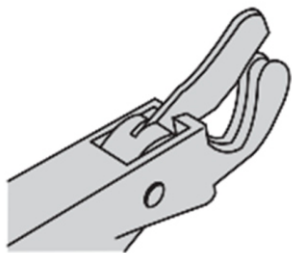
SHEAR POSITION DIAGRAM



the blank mark can be cut off

ACCESSORIES

Self-provided Tools



Shears or scissors

Optional Parts



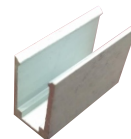
Front cap



End cap



Silicone glue

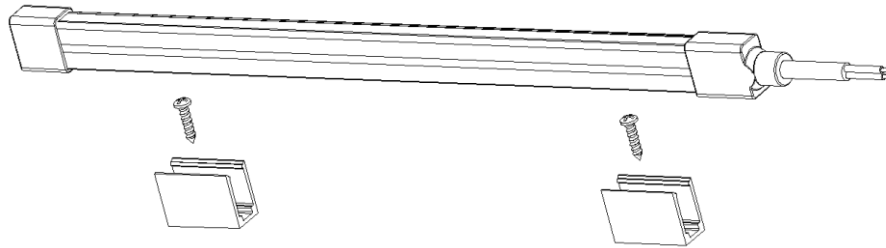


Aluminum clip



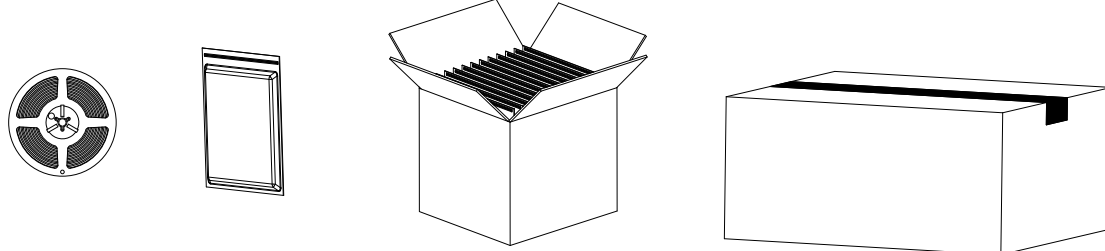
Leadwire

FIXING METHOD



1. Firstly fix the AL clip on the base or wall , insert Neon flex into AL clip.
2. Usually need 1 to 3 pcs Al clips per meter,detailed quantity is according to the actual situation .

PACKAGE



Outer carton size	460*460*340
Length per roll(m)	10
Qty(rolls)	10
QTY (m)	100
N.W KG(±10%)	14.5
G.W KG(±10%)	18.5

1. Package using plastic tray;
2. Following package qty and Gross Weight are calculated based on our company standard package methods and there is some ratio when you change package solution . For exact index , refer to goods itself .

USAGE INSTRUCTION AND AFFAIRS ATTENTION

1. Power voltage (DC) should be same as voltage of strip usage and fix safety device .
2. Do not let power on when fixing strips to avoid any risk of strip electronics short circuit, turn on power only under condition of connect and fixing strips well and in right way .
3. Not allowed to use Iron clip to bind strips heavily to prevent it into strips body which leads to short circuit and strip burning.
4. Cut the strips at place where is mark of knife printed on pcb.
5. Only allow to connect strips in series with same voltage and length together not longer than its cascading.
6. Strong connection at cutting place without short circuit risk. When fixing outside, use liquid glass glue sticking connection place well or waterproof connector to guarantee water can not put inside .
7. Voltage driving strips can match dimmer to adjust lighting brightness or color temperature .